

Lars

Width arms: 22 cm

Height legs: 4 cm

Sitting height: ca. 43 cm

Total height: ca. 83 cm

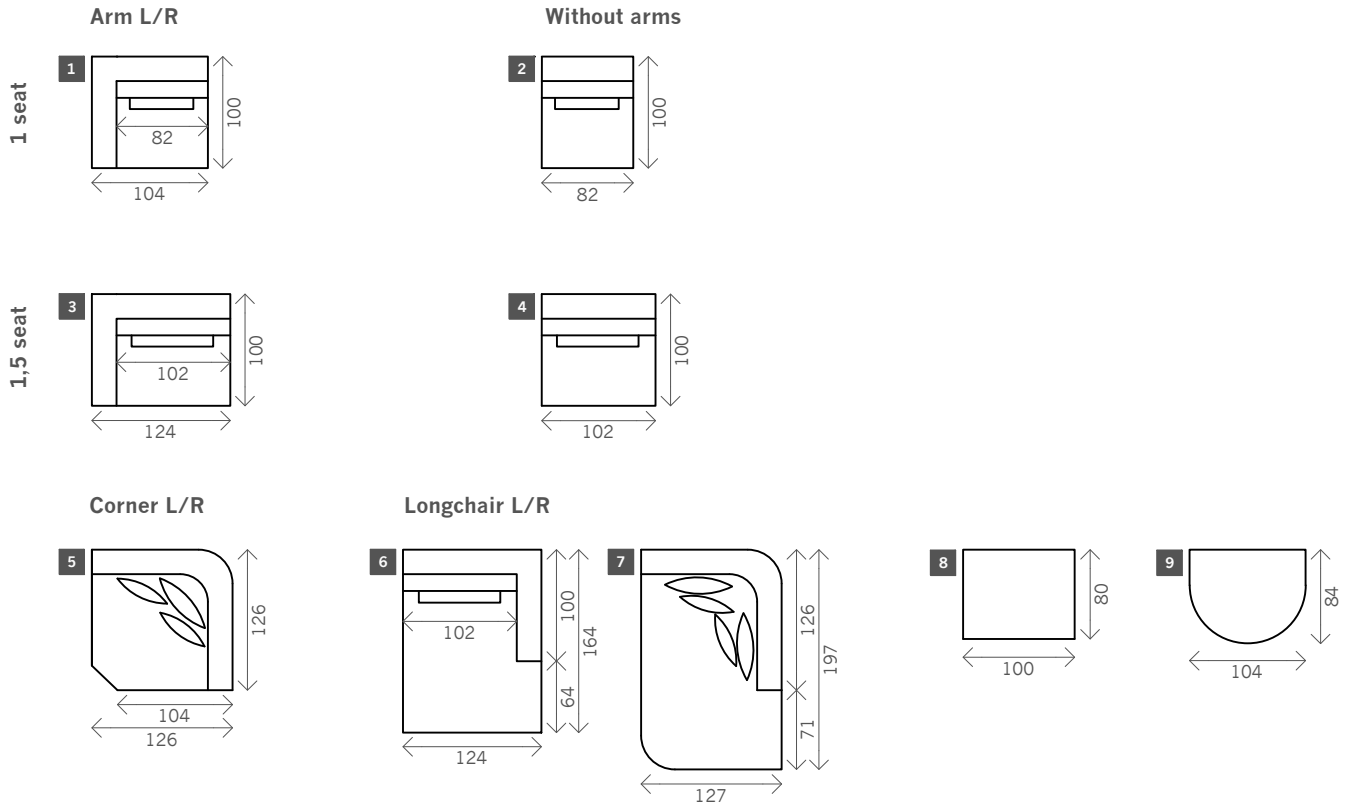
Total depth: ca. 100 cm

Toss cushions 45 x 45 cm:

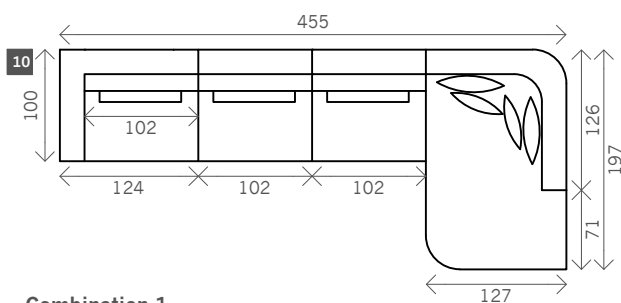
Seats with 2 arms: 2x

Seats with 1 arm/Meridienne/Longchair: 1x

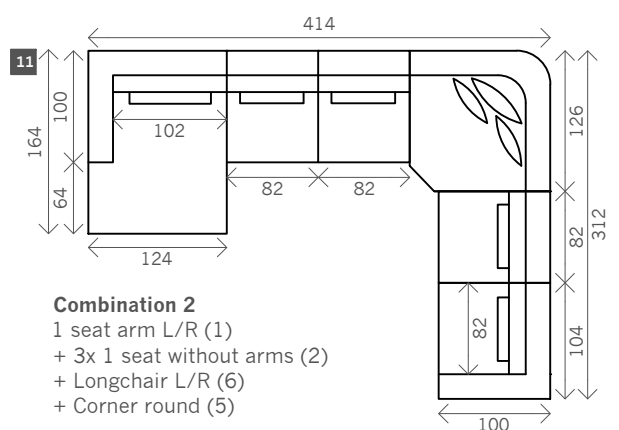
fixed sizes



Examples corner sofas



Combination 1
 1,5 seat arm L/R (3)
 + 2x 1,5 seat without arm (4)
 + longchair round L/R (7)



Combination 2
 1 seat arm L/R (1)
 + 3x 1 seat without arms (2)
 + Longchair L/R (6)
 + Corner round (5)